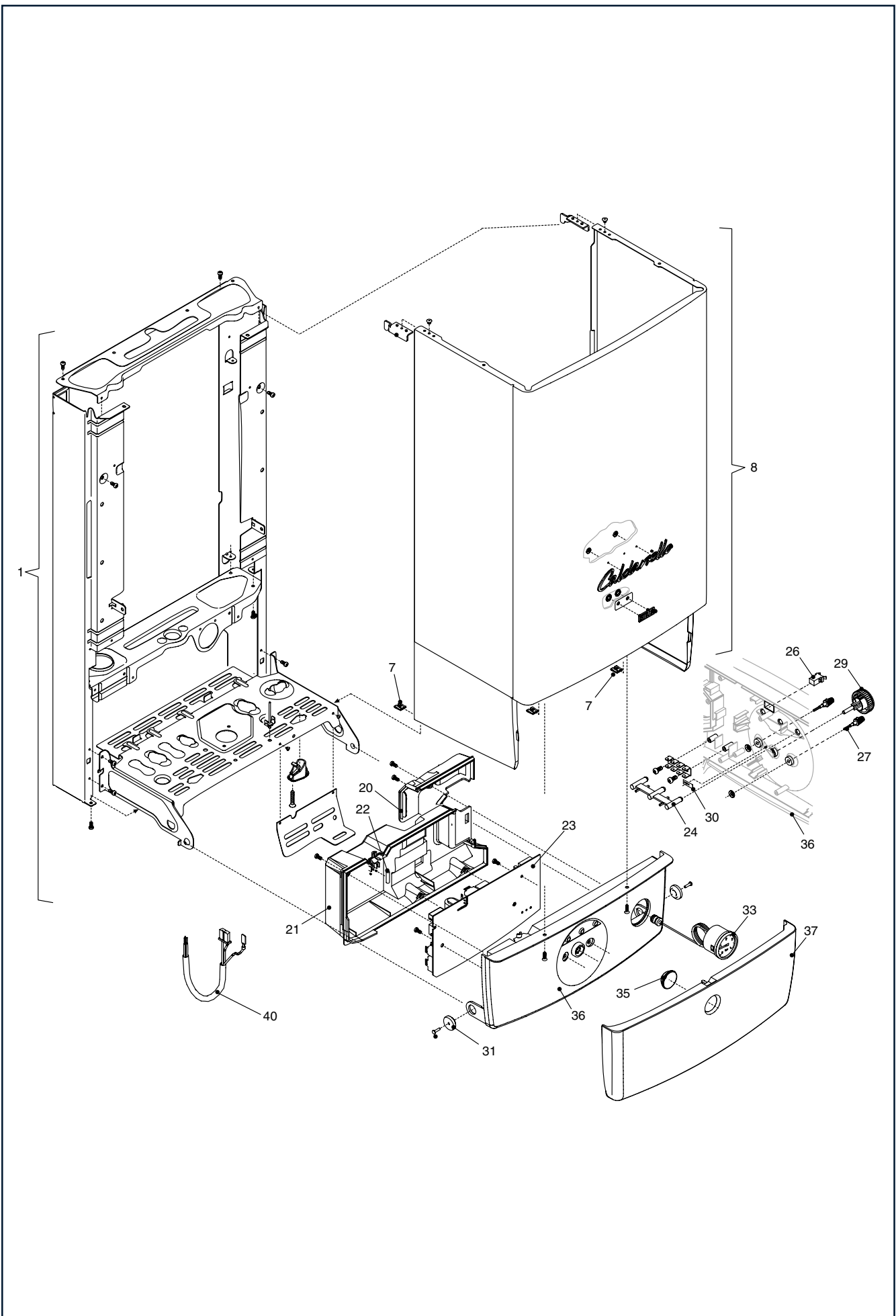


Wall hang boilers

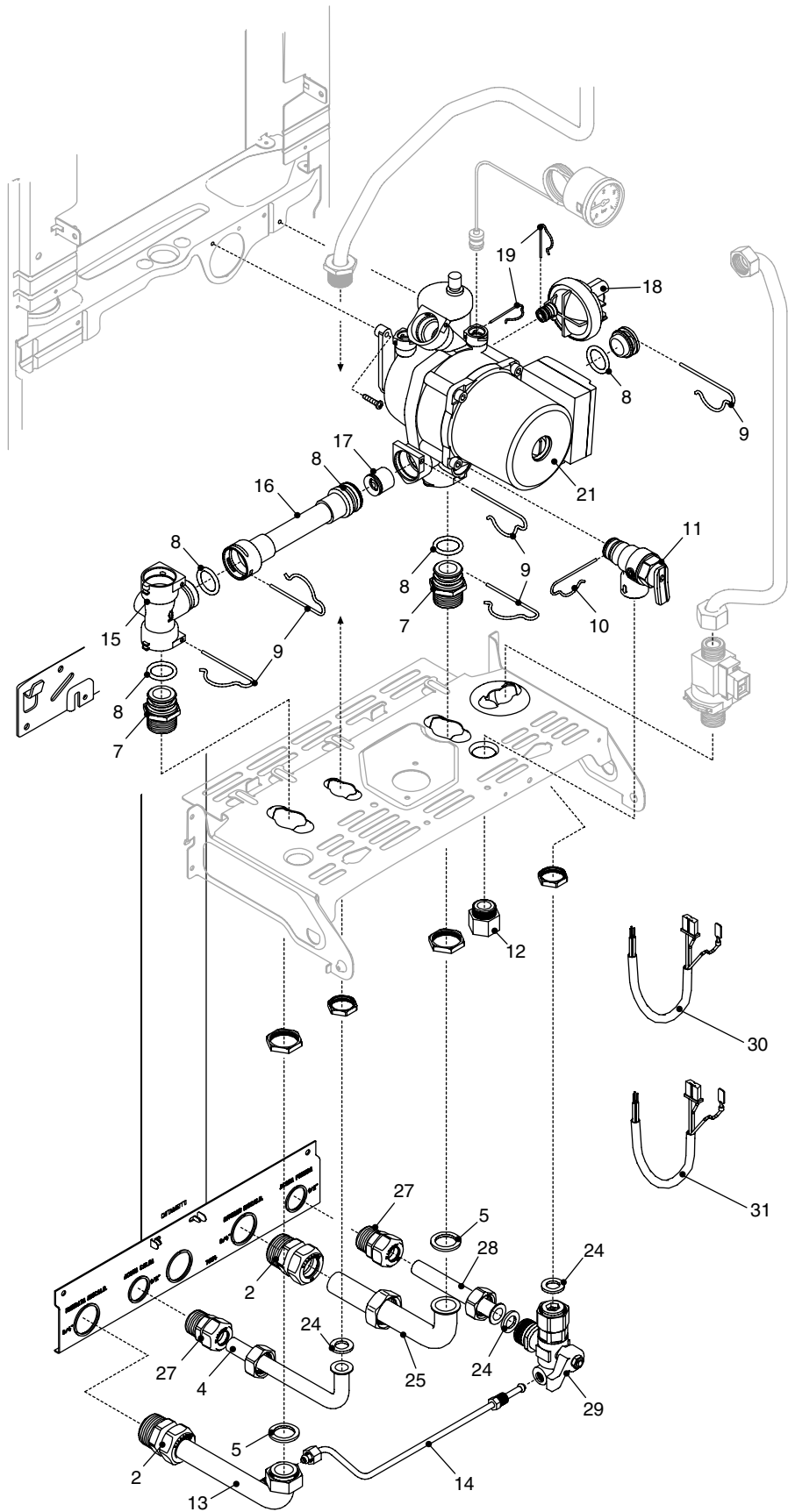
Caldariello



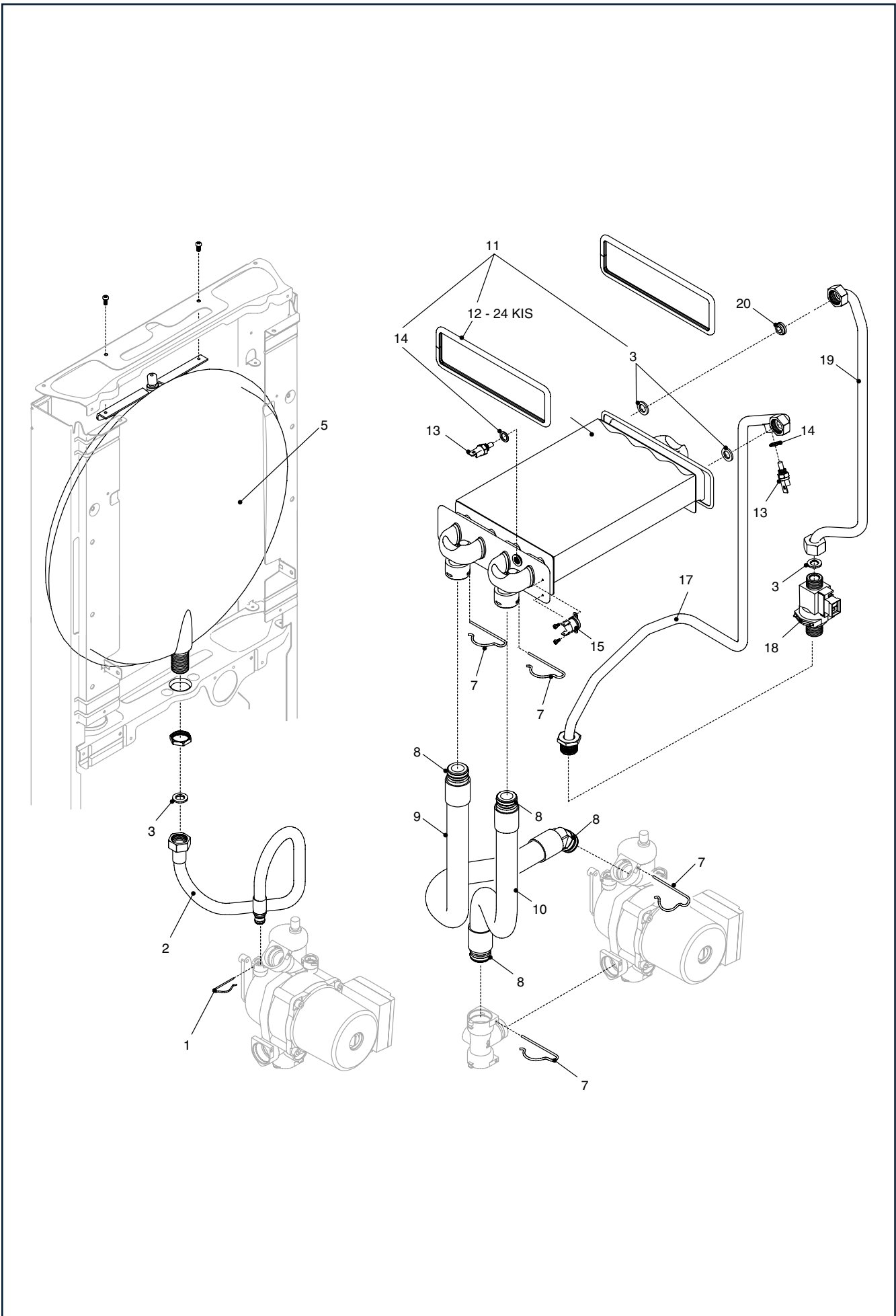
MODEL	PART NUMBER	
	MTN	GPL
CALDARIELLO 24 KI	1751773	1751775
CALDARIELLO 24 KIS	1751783	1751785



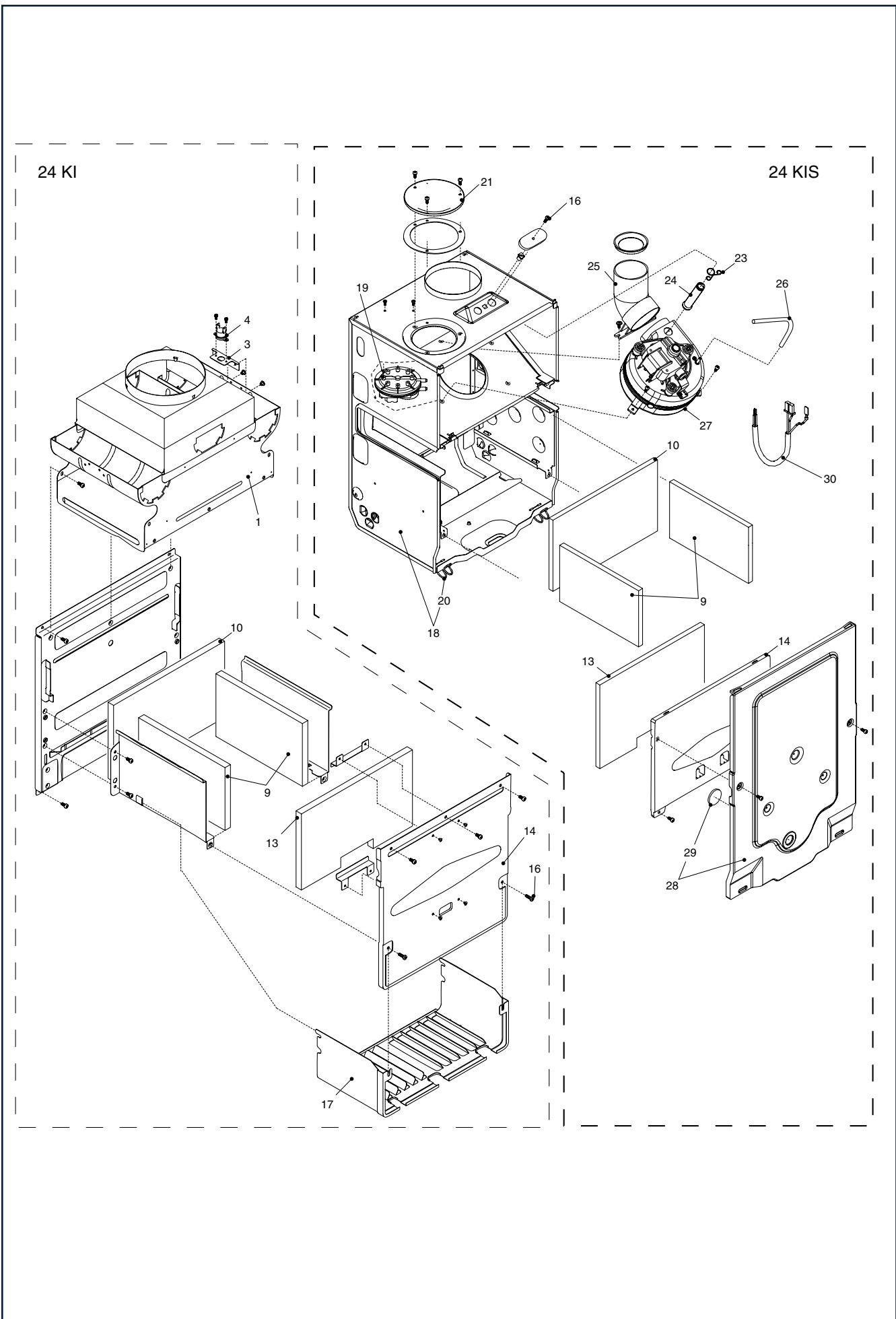
POS.	DESCRIPTION	24 KI	24 KIS
1	Frame assembly	R01005085	R01005085
7	Clip	R5128	R5128
8	Case assembly	R10020689	R10020689
20	Door panel	R10020304	R10020304
21	Cover	R10020303	R10020303
22	Fuse	R8968	R8968
23	Printed circuit board kit	R0533	R0533
24	Led light guide	R2377	R2377
26	Push down cover	R1864	R1864
27	Knob	R10023071	R10023071
29	Knob	R10023122	R10023122
30	Clip	R2568	R2568
31	Pin	R10023044	R10023044
33	Pressure gauge	R2564	R2564
35	Door panel course	R2486	R2486
36	Front panel	R10020302	R10020302
37	Door panel	R2484	R2484
40	Wiring harness	R10020305	R10020305



POS.	DESCRIPTION	24 KI	24 KIS
2	Connection	R2580	R2580
4	Pipe	R2577	R2577
5	Washer	R5023	R5023
7	Connection	R2217	R2217
8	O Ring	R6898	R6898
9	Clip	R2223	R2223
10	Clip	R2222	R2222
11	Safety valve	R1806	R1806
12	Connection	R10022499	R10022499
13	Pipe	R2584	R2584
14	Filling pipe	R2559	R2559
15	Connection	R2213	R2213
16	Pipe	R2490	R2490
17	By-pass valve	R2047	R2047
18	Pressure switch	R2165	R2165
21	Pump	R2225	R2225
24	Washer	R5026	R5026
25	Pipe	R2576	R2576
27	Connection	R2579	R2579
28	Pipe	R2578	R2578
29	Water supply stop cock	R2265	R2265
30	Wiring harness	R2554	R2554
31	Wiring harness	R10020699	R10020699



POS.	DESCRIPTION	24 KI	24 KIS
1	Clip	R10020771	R10020771
2	Flexible pipe	R2164	R2164
3	Washer	R5026	R5026
5	Expansion vessel	R2204	R2204
7	Clip	R2223	R2223
8	O Ring	R6898	R6898
9	Pipe	R2492	R2492
10	Pipe	R2218	R2218
11	Heat exchanger	R2310	R2310
12	Washer	-	R2226
13	NTC sensor	R8484	R8484
14	Washer	R10022726	R10022726
15	Hight limit thermostat	R2258	R2258
17	Pipe	R10020696	R10020696
18	DHW actuator	R10020329	R10020329
19	Pipe	R10020695	R10020695
20	Blue flow governor	R8009	R8009

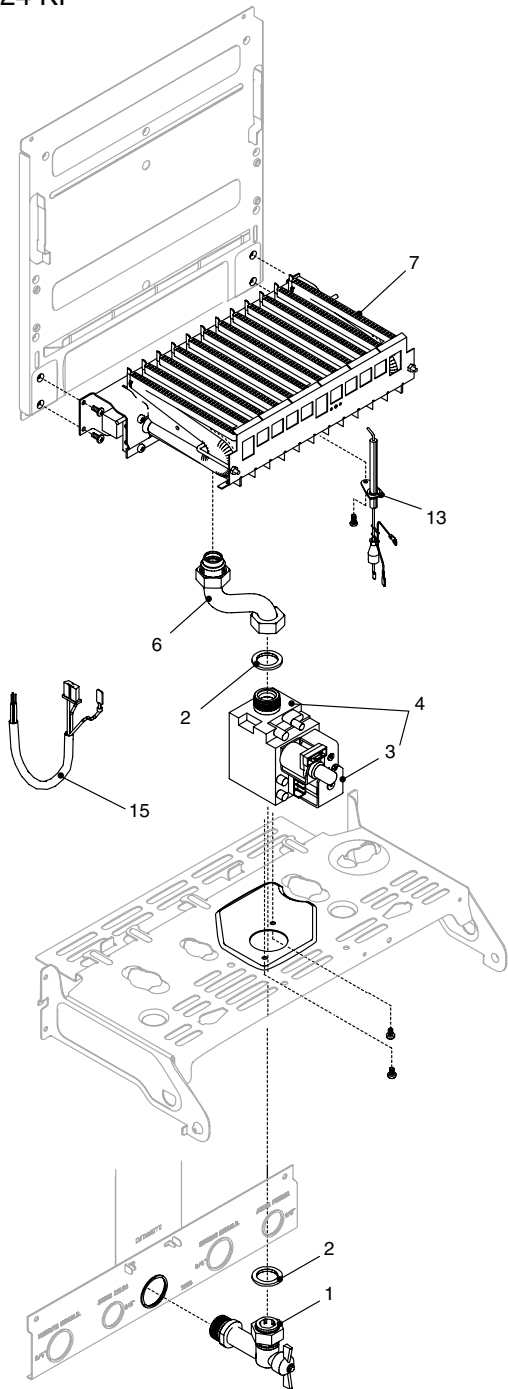


COMBUSTION COMPONENTS

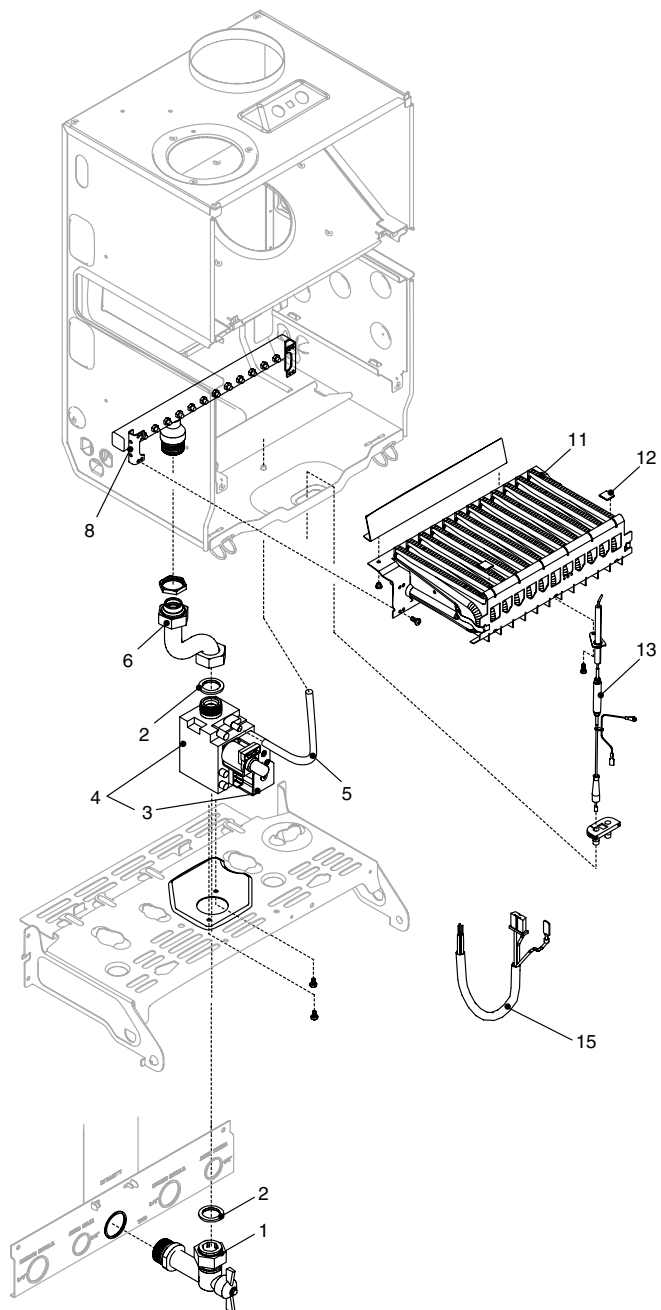
Drawing 4

POS.	DESCRIPTION	24 KI	24 KIS
1	Hood assembly	R2790	-
3	Thermostat fixing bracket	R9360	-
4	Fumes thermostat	R2452	-
9	Lateral insulating panel	R2272	R2231
10	Back insulating panel	R5270	R2230
13	Front insulating panel	R5269	R2232
14	Cover	R2599	R2228
16	Screw	R5080	R5080
17	Combustion chamber bottom side	R5268	-
18	Room sealed chamber	-	R10020613
19	Pressure differential switch	-	R8195
20	Clip	-	R0442
21	Air box hole cap	-	R8084
23	Clip	-	R10020626
24	Fumes testing connection pipe	-	R10020627
25	Connection	-	R2237
26	Silicone tube	-	R1457
27	Fan	-	R10020793
28	Air box cover	-	R10021568
29	Glass	-	R10021558
30	Wiring harness	-	R10020732

24 KI



24 KIS



BURNER

Drawing 5

POS.	DESCRIPTION	24 KI	24 KIS
1	Gas cock connection	R2505	R2505
2	Washer	R5023	R5023
3	Gas valve solenoid	R10020838	R10020838
4	Gas valve	R10021021	R10021021
5	Silicone tube	-	R1457
6	Gas pipe	R10020697	R2494
7	MTN Burner	R2274	-
7	LPG Burner	R2275	-
8	MTN Burner injector manifold	-	R2235
8	LPG Burner injector manifold	-	R2236
11	Main burner	-	R2234
12	Burner plate	-	R5172
13	Spark-sensing electrode	R2255	R2587
15	Wiring harness	R10020698	R10020731

The logo for RIELLO, featuring the word "RIELLO" in a bold, blue, sans-serif font.

RIELLO S.p.A.
Via Risorgimento, 13
23900 Lecco (Italy)
Tel. +390341.277.270 - Fax +390341.277.290

Riello si riserva di variare le caratteristiche e i dati riportati nel presente fascicolo
in qualunque momento e senza preavviso, nell'intento di migliorare i prodotti.
Questo fascicolo pertanto non può essere considerato come contratto nei confronti di terzi